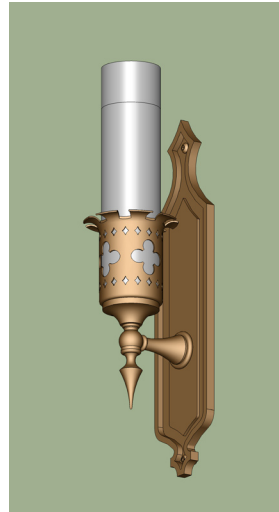


Drumcliff Family



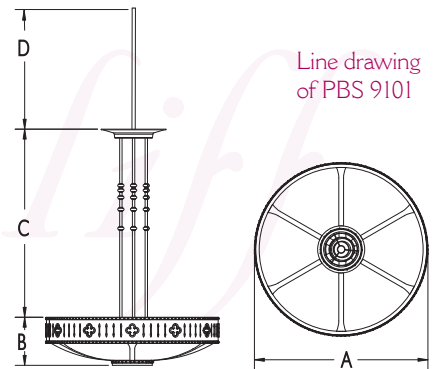
• PBS 9101 •



• WAS 1201 •



• CBS 9001 •



THE FIXTURES IN THIS FAMILY ARE CONSTRUCTED OF BRASS WHICH CAN BE POLISHED OR SATIN FINISHED. THE STANDARD LENSES ARE WHITE OR AMBER OPALESCENT GLASS.

PENDANT: CAT. NUMBER	WIDTH A	HEIGHT B	CROWN C	HANGING D	LAMP CODE	LAMPING OPTIONS
PBS 9101	36.5"	10.0'	39.5"	Specify	NA	6-75W A-19
					ND	6-75W A-19 + 1-300W R40 down
					FA	4-32W compact fluorescent
					FD	4-32W compact fluorescent + 1-300W R40 down
PBS 9102	44.0"	12.0"	47.5"	Specify	NA	6-100W A-19
					ND	6-100W A-19 + 1-500W R40 down
					FA	4-42W compact fluorescent
					FD	4-42W compact fluorescent + 1-500W R 40 down

CEILING: CAT. NUMBER	DIAMETER	HEIGHT	LAMP CODE	LAMPING OPTIONS
CBS 9001	17.0"	5.5"	-	NA 2-40W A-19
				FA 2-26W compact fluorescent
CBS 9002	21.0"	7.0"	-	NA 2-60W A-19
				FA 2-32W compact fluorescent

WALL: CAT. NUMBER	WIDTH	HEIGHT	EXTENSION	LAMP CODE	LAMPING OPTIONS
WAS 1201	4.0"	17.0"	5.0"	NA	1-60W CA-10 candelabra base

A VARIETY OF CUSTOM METALS, FINISHES, LENS MATERIALS AND LAMPING OPTIONS ARE AVAILABLE UPON REQUEST.